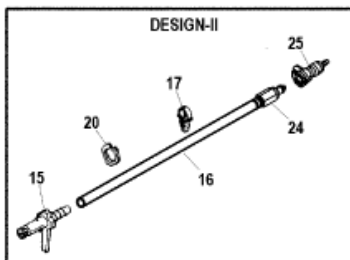
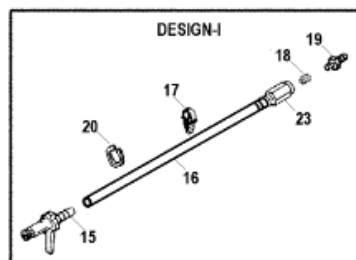
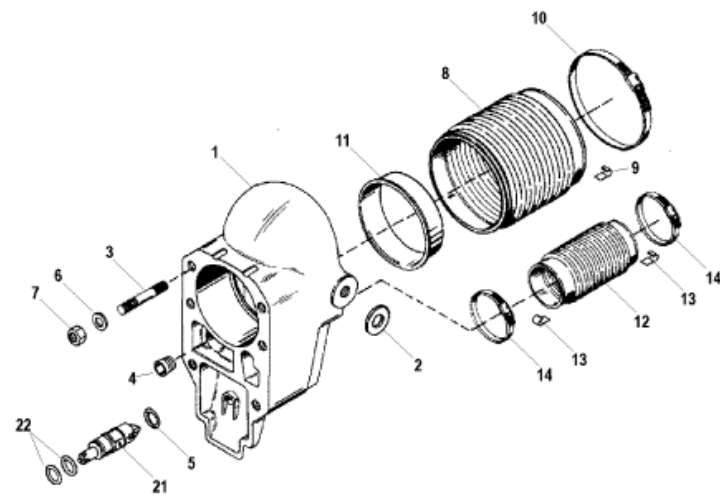


Parts List



NOTE: FOR CONTINUITY CIRCUIT COMPONENTS, SEE "CONTINUITY KIT"

2424

Ref	Class	Part	Description	Qty	Comment	Footnote
1		41646A 9	BELL HOUSING ASSEMBLY	1		
2	12	806241	WASHER	2		
3	16	59579	STUD, (.437-14/.437-20 x 2.812)	6		
4		41674	INSERT	1		
5	25	62705	O-RING	1		
6	12	35935	WASHER	6		
7	11	859116	NUT, (.437-20)	6		
8		86840A 3	BELLOW'S ASSEMBLY	1		
9	54	86049	CLIP, Grounding	1		
10	54	815504372	CLAMP, Worm Gear	1		
11		862209	SLEEVE	1		
12		18654A 1	BELLOW'S	1		
13	54	86049	CLIP, Grounding	2		
14	54	815504348	CLAMP, Worm Gear	2		
15		815303	ADAPTOR	1		
16	32	54950 25	TUBING, Speedo	1		
17	54	12994	CLIP	1		
18	22	878089	PLUG, Pipe (.0625-27)	1		
19	22	814382	CONNECTOR	1		
20	54	818557	CLAMP	2		
21		18920A 1	VALVE ASSEMBLY	1	(Use With Oil Reservoir)	
22	25	48171	O-RING, (.364. x .070)	2	(Use With Oil Reservoir)	
23		865261	FITTING, Speedo Tube Assembly	1	(Design I) SN# 0M815601 & Below	
24		865391	FITTING ASSEMBLY, Speedomete	1	(Design II) SN# 0M815602 & Up	
25	22	865417	FITTING, Female Quick Connect	1	(Design II) SN# 0M815602 & Up	